

**RESTRICTED**

**ORDNANCE PAMPHLET 1585  
(PRELIMINARY)**

**BOMB CLUSTER ADAPTER  
MARK 3 MOD. 0**



NAVY DEPARTMENT  
BUREAU OF ORDNANCE  
WASHINGTON, D. C.

RESTRICTED

7 July 1945

ORDNANCE PAMPHLET 1585 (PRELIMINARY)

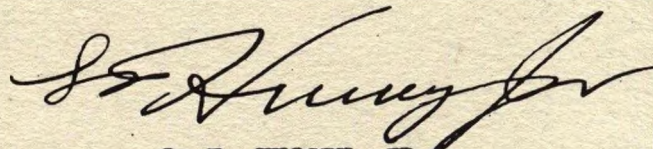
BOMB CLUSTER ADAPTER MK 3 MOD 0.

1. Ordnance Pamphlet 1585 (Preliminary) contains a description of the Cluster Adapter Mark 3 Mod 0 Three-Bomb Cluster. It is prepared and issued for the information of all personnel concerned with the use, flight preparation, and assembly of clustered bombs.

2. Because of the urgent need for this information, it has been issued in preliminary form. This pamphlet will be revised and issued in complete, final form as soon as practicable.

3. This publication does not supersede any existing publication.

4. This publication is RESTRICTED and shall be safeguarded in accordance with the security provisions of U. S. Navy Regulations, 1920, Article 76.



G. F. HUSSEY, JR.  
Rear Admiral, U. S. Navy  
Chief of the Bureau of Ordnance

~~ADAPTER CLUSTER~~  
**MARK 3 MOD 0**  
**THREE-BOMB CLUSTER**

OP 1585 (PRELIMINARY)

Description

A. The Cluster Adapter Mk 3 Mod 0 is for clustering three bombs for external suspension. Four types of bombs which may be used in this adapter are; the 100-lb. G. P. Bomb shown in Fig. 1, the 220-lb. Frag. Bomb shown in Fig. 2, the 90-lb. Frag. Bomb shown in Fig. 3 and the 100-lb. Chemical Bomb shown in Fig. 4.

B. For general data concerning the Cluster Adapter Mk 3 Mod 0, see Fig. 5, Disassembled Adapter with Nomenclature of Parts. Other general data are as follows:

Total weight of the Cluster Adapter with three	100-lb. G. P. Bombs...	364 lbs.
" " " " " " " " "	220-lb. Frag. Bombs...	688 lbs.
" " " " " " " " "	90-lb. Frag. Bombs...	300 lbs.
" " " " " " " " "	100-lb. Chemical Bombs...	340 lbs.

Suspension, double, requires the use of the Adapter, Bar.

Suspension, single, requires the use of the Lug.

Hoisting, Single, requires the use of the Channel.

For the general arrangement of the Cluster Adapter BuOrd Dwg 422885 may be consulted.

Installation Instructions

A. To assemble the Cluster Adapter Mk 3 Mod 0 the following steps are suggested:

(1) Place adapter on the deck in upright position as shown in Fig. 6 and place two bombs in adapter, securing them in place by wire or suitable means.

(2) Place band on the deck face down ("face" is the side with stencilled data) with the take-up bolt extended to approximately full length. Then place the third bomb on band approximately 12 inches from one end of band (either end) with single suspension lug up. (Note: in steps (2) and (3) care must be taken to engage the single suspension lug of each bomb in the baffle plate assembly to insure positive restraint against fore and aft motion.)

(3) Hoist the adapter to which the two bombs are temporarily secured and place it on the single bomb located on the deck. Wrap band around the loaded adapter, engage the band clamps, and slip the pistol assembly over the clamps with the arming vane forward. With the pistol assembly on the band, slip the cartridge chamber into place, and secure by inserting the two cotter pins. (See Fig. 7)

(4) Tighten the band until the bombs are held snugly in the adapter. Care should be taken to tighten the band only enough to securely hold the bombs and adapter together. **DO NOT OVER-TIGHTEN**. Remove wires originally used to hold the upper two bombs in place while assembling the cluster.

(5) Remove both release wires which held the displacing springs in cocked position while assembling cluster (see Fig. 8).

(6) Locate fuze arming safety plate as shown in Figure 8 and install cotter pin. Note that the safety plate is installed backwards (Figure 3) when 90-lb. fragmentation bombs are used in the cluster. Check the fuze arming vanes to make certain they are prevented from rotating by the fuze arming safety plate.

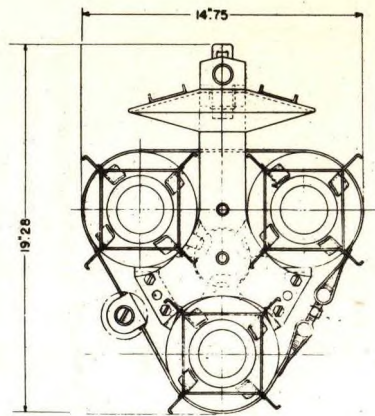
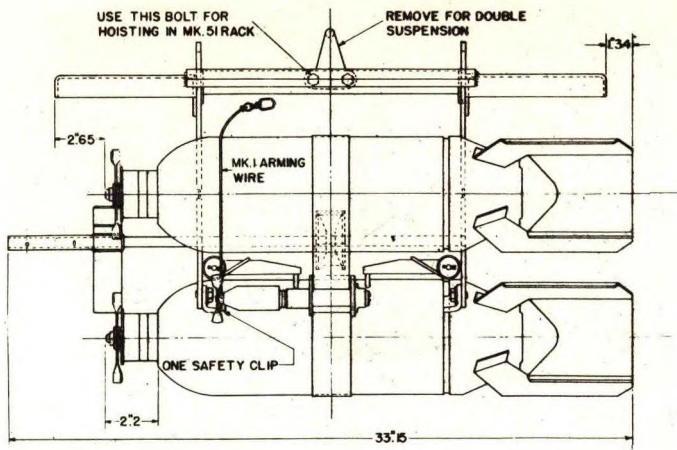


FIG. 3  
 CLUSTER ADAPTER MK. 3 MOD. 0  
 3-90 LB. FRAG. BOMBS M-82  
 TOTAL WEIGHT 300 LBS.

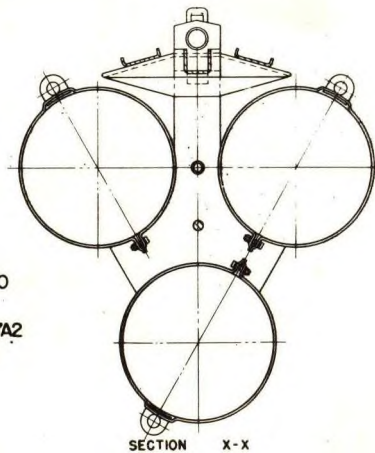
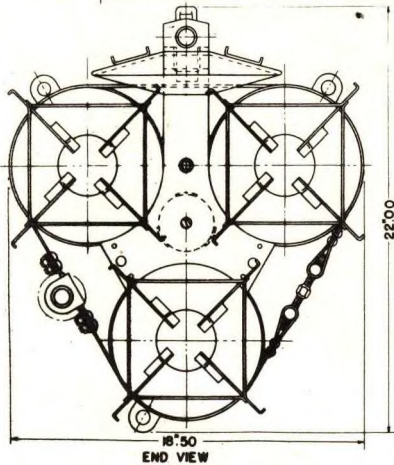
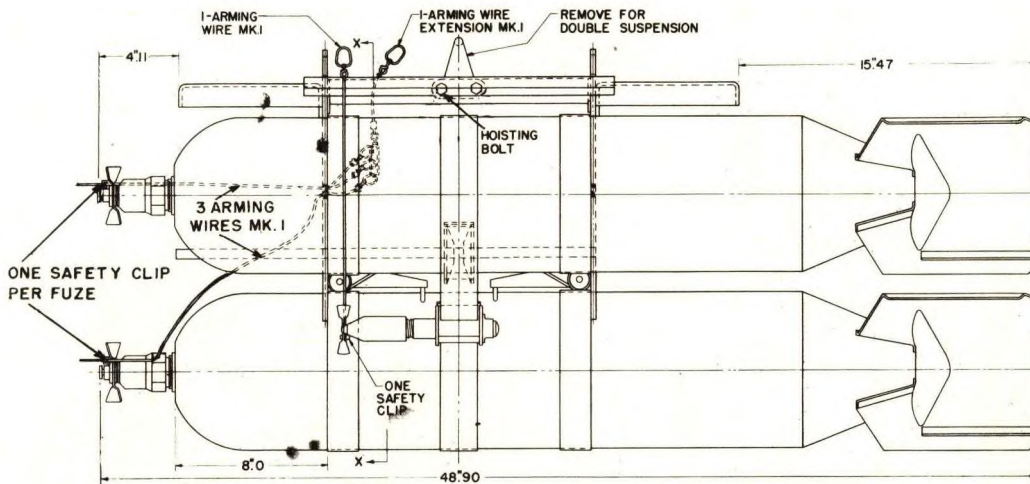


FIG. 4  
 CLUSTER ADAPTER MK. 3 MOD. 0  
 WITH  
 3-100 LB. CHEMICAL BOMBS. M47A2  
 TOTAL WEIGHT, 340 LBS.

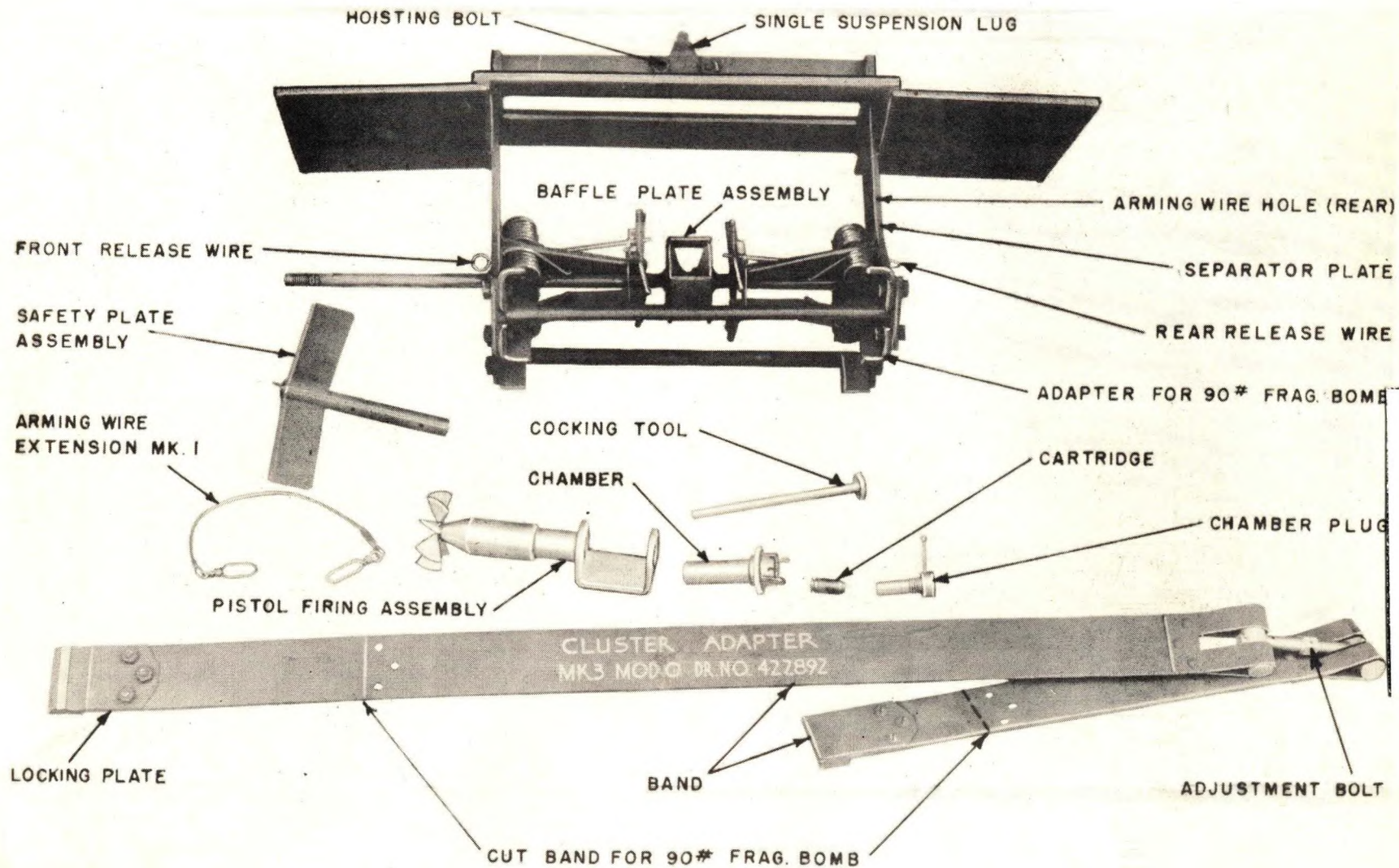


FIG. 5 - DISASSEMBLED CLUSTER WITH NOMENCLATURE OF PARTS

RESTRICTED

Authority MND 84869

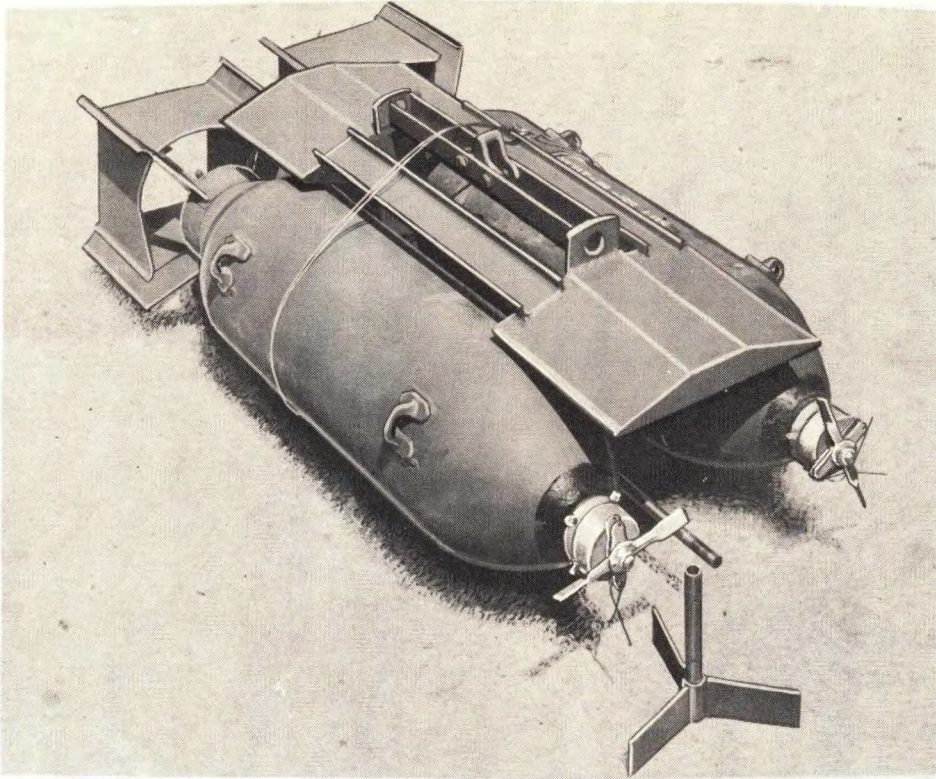


FIG. 6 - STEPS OF ASSEMBLY

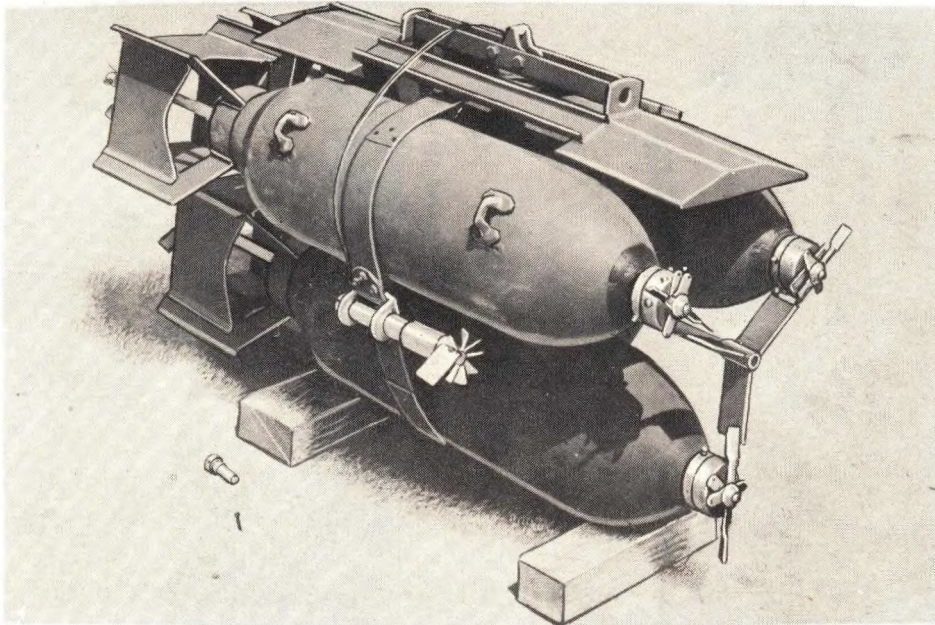


FIG. 7 - STEPS OF ASSEMBLY

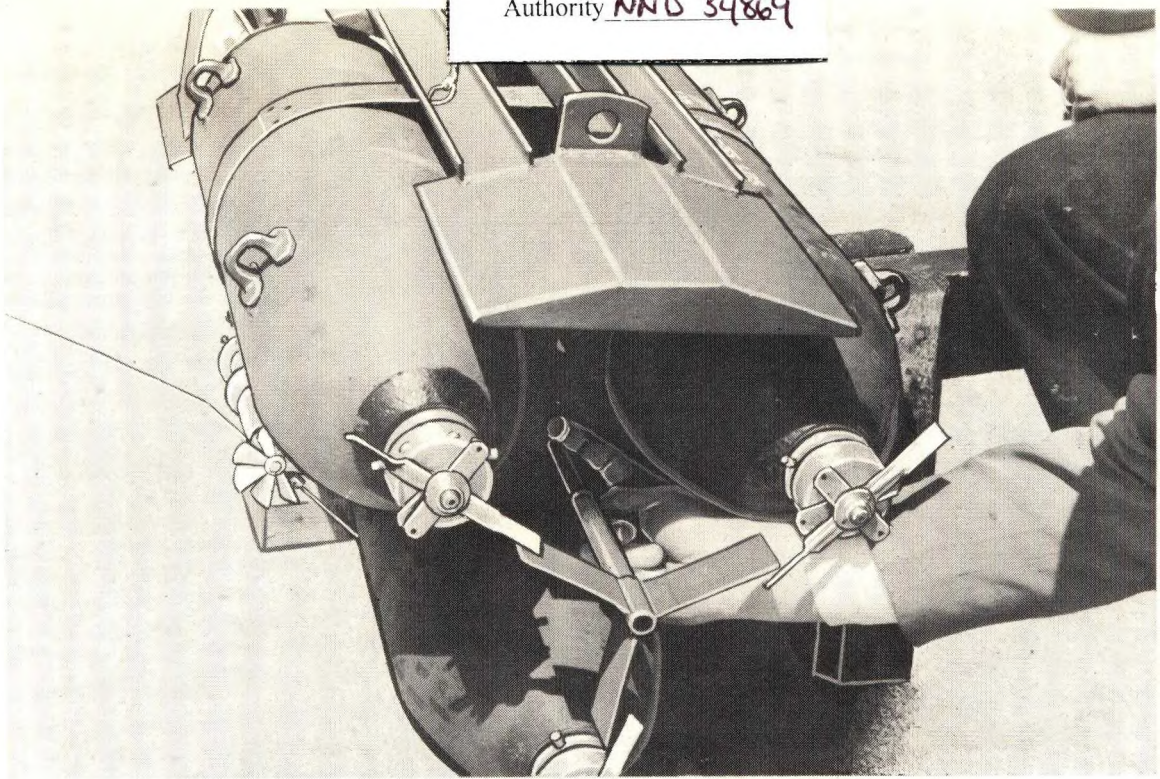


FIG. 8 - STEPS OF ASSEMBLY

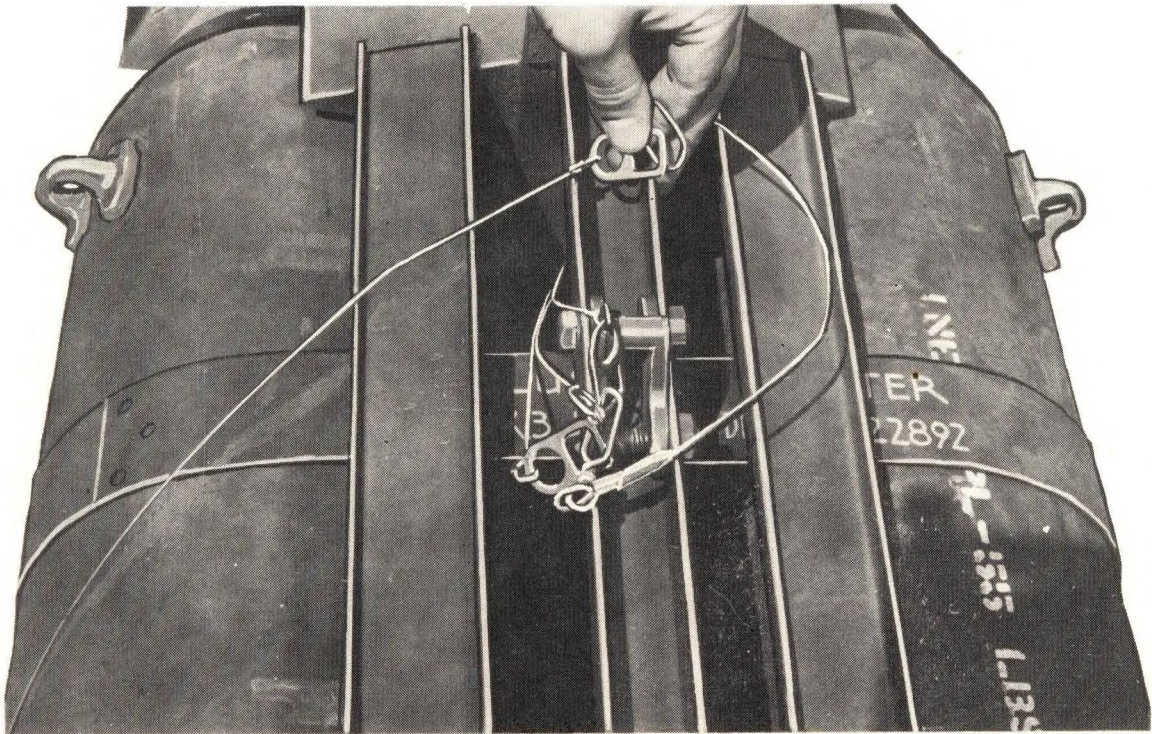


FIG. 9 - STEPS OF ASSEMBLY

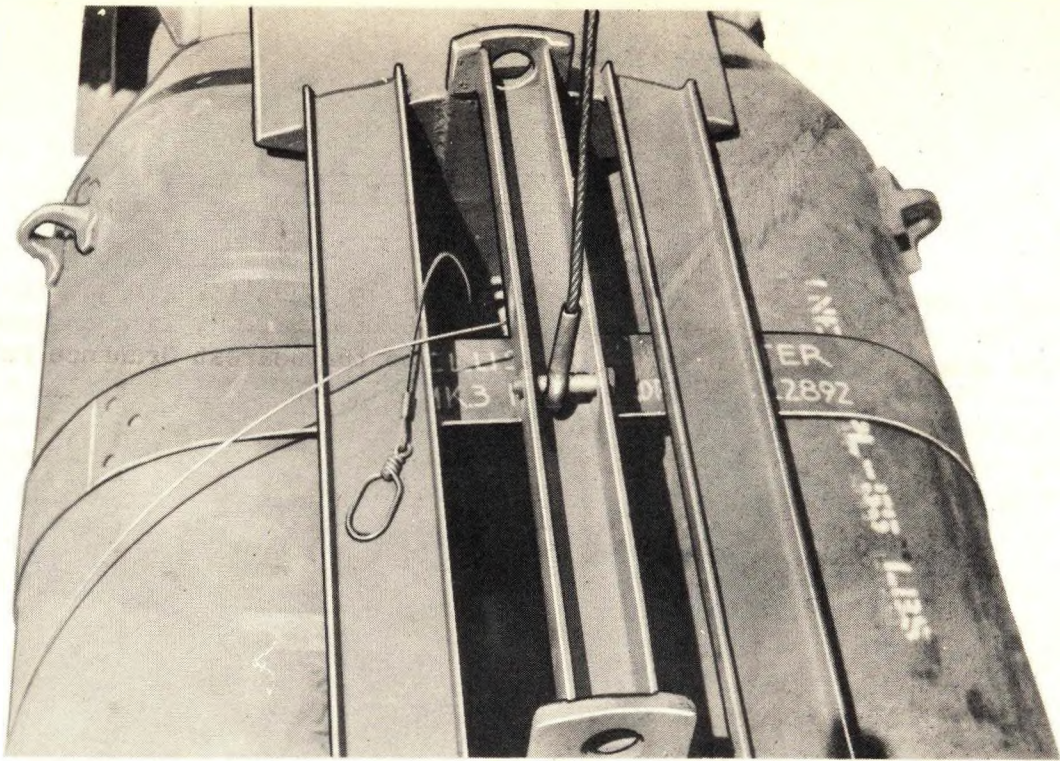


FIG. 10 - STEPS OF ASSEMBLY

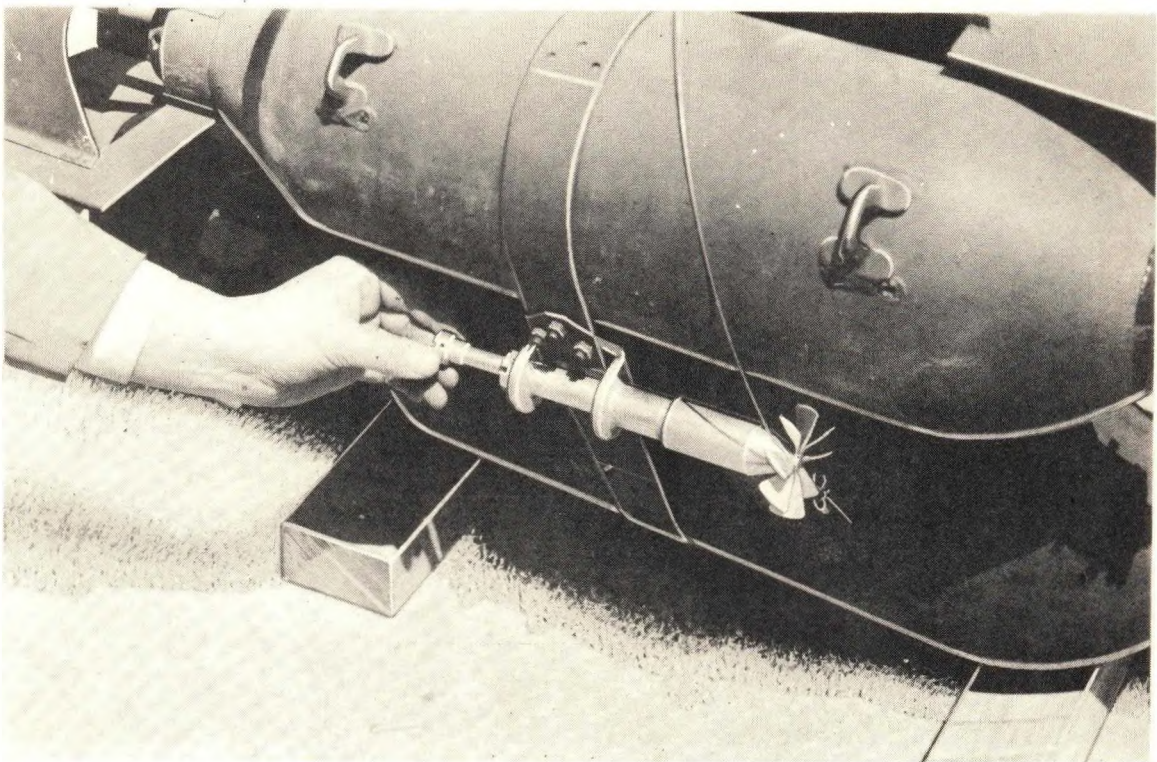


FIG. 11 - STEPS OF ASSEMBLY